




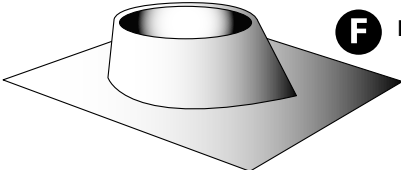
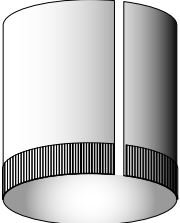

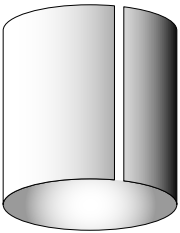





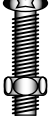


11503 - 160 Street Edmonton, Alberta, Canada T5M 3V9 1.800.449.0644

Parts List

-  **A** Clear acrylic dome 21 - 220
-  **B** Dark fur tape 21 - 500 (attach to top of 2" pipe)
-  **C** Dust Deflector Ring 21 - 348
-  **D** Upper dome retention clamp, 21 - 320
-  **E** Storm collar 21 - 400A
-  **F** Flashing 21 - 400B
-  **G** 2 Foot SunScope top section 21 - 120
-  **H** Silver Tape 21 - 500
-  **I** 2 Foot SunScope bottom section 21 - 120
-  **J** Interior Dome Assembly

Hardware 21 - 500

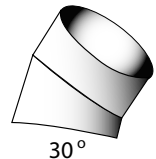
-  **K** 8 - 1" screws for securing bottom dome
 -  **L** 8 - 1 1/2" Screw anchors
 -  **M** 8 white plastic screw caps
 -  **N** 1 - 1/2" short broadhead screw for securing cylinder to joist
 -  **O** 1 - 2" nut and bolt for securing retention clamp
- *Plus tape & gaskets (left).

OPTIONAL PARTS

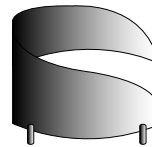
Ceiling Flange Ring
21 - 340



Elbow Joint
21 - 360



SunScoop
21 - 350



Additional 2' SunScope sections, elbows and SunScoops are available separately from the dealer. Elbow joints may be necessary if the roof rafters are not aligned evenly with the ceiling joists or for sloped ceilings. (SEE FIGURE 3).

Not included, but recommended:
100% silicone caulking (300ml) duct tape

CAUTION:

Ensure that electrical wires, water and gas cylinders and other hazards are clear of both the ceiling and roof areas intended to be removed. Always wear protective safety glasses and wear leather work gloves.



*Prior to construction, check with all local building authorities and check building codes for compliance.