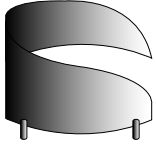





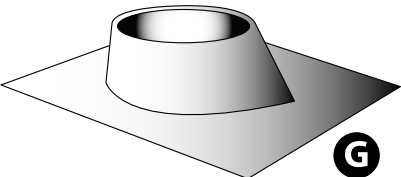
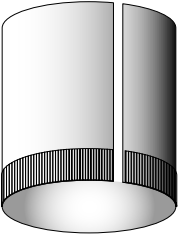

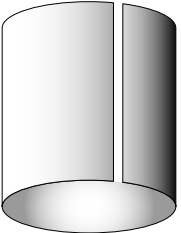





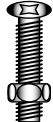


Parts List

-  **A** SunScoop 13 - 350
-  **B** Clear acrylic dome 13 - 220
-  **C** Dark fur tape 13 - 500 (attach to top of 2" pipe)
-  **D** Dust Deflector Ring 13 - 348
-  **E** Upper dome retention clamp, 13 - 320
-  **F** Storm collar 13 - 400A
-  **G** Flashing 13 - 400B
-  **H** 2 Foot SunScope top section 13 - 120
-  **I** Silver tape 13 - 500
-  **J** 2 Foot SunScope bottom section 13 - 120
-  **K** Interior Dome Assembly

Hardware 13 - 500

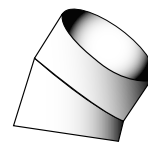
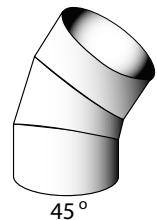
-  **L** 1" screws for securing bottom dome (6) for Standard - (4) for Recessed
 -  **M** 1 1/2" Screw anchors (6) for Standard - (4) for Recessed
 -  **N** White plastic screw caps (6) for Standard - (4) for Recessed
 -  **O** 1 - 1/2" short broadhead screw for securing cylinder to joist
 -  **P** 1 - 2" nut and bolt for securing retention clamp
- *Plus tape & gaskets (left).

OPTIONAL PARTS

Ceiling Flange Ring 13 - 340



Elbow Joint 13 - 360



Additional 2' SunScope sections, elbows and SunScoops are available separately from the dealer. Elbow joints may be necessary if the roof rafters are not aligned evenly with the ceiling joists or for sloped ceilings. (SEE FIGURE 3).

Not included, but recommended:
100% silicone caulking (300ml) duct tape

CAUTION:

Ensure that electrical wires, water and gas cylinders and other hazards are clear of both the ceiling and roof areas intended to be removed. Always wear protective safety glasses and wear leather work gloves.